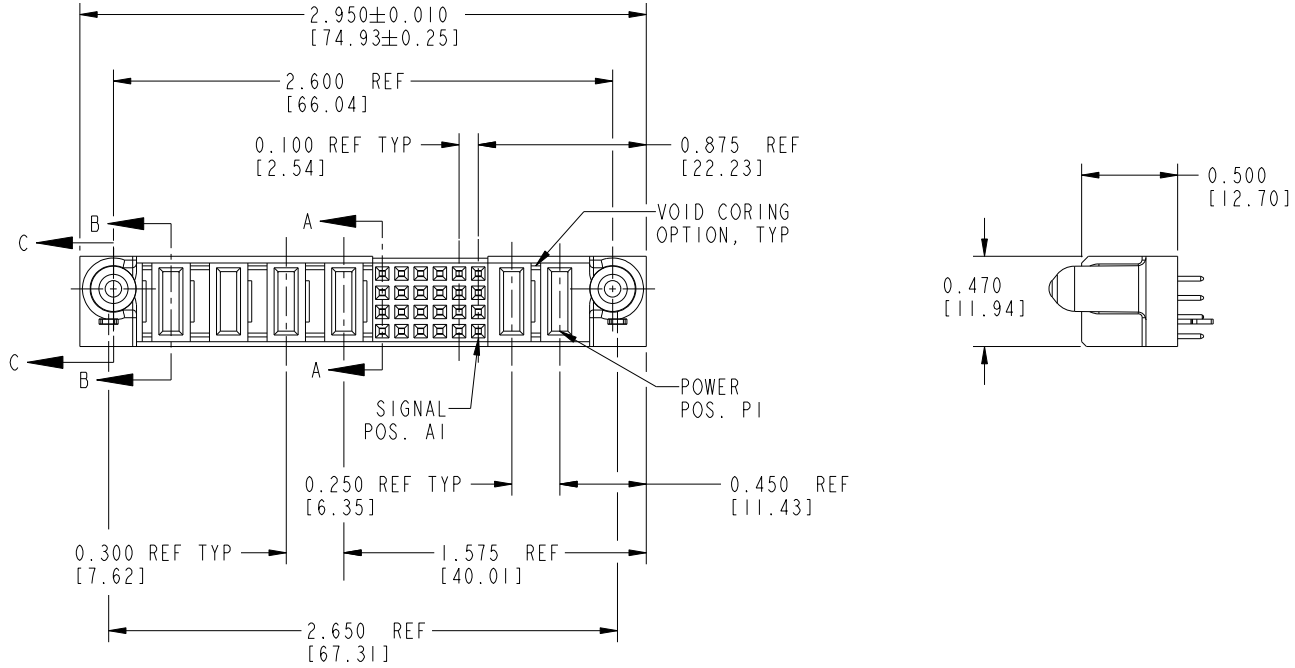


Tous droits strictement réservés. Reproduction ou communication a des tiers interdite sous quelque forme que ce soit sans autorisation écrite du propriétaire. Propriété de c FCI. Droits de reproduction FCI.

All rights strictly reserved. Reproduction or issue to third parties in any form whatever is not permitted without written authority from the proprietor. Property of FCI. Copyright FCI.



PRODUCT No.	ROWS	POWER				SIGNAL					POWER		E1			
		E2	P6	P5	P4	P3	6	5	4	3	2	1		P2	P1	
51863-001-- NOTE: 2	D C B A															



CODE	CONTACT TYPE
E	SIGNAL
PA	POWER
HA	HOLD-DOWN

mat'l code				NOTE 1		tolerances unless otherwise specified		CUSTOMER	
ltr	ecn no.	dr	date	linear	.xx±.01/0.X±0.3	COPY		FCI	
A	V11143	CGD	12/09/05	projection	.xxx±.005/0.XX±0.13	INCH/MM		www.fciconnect.com	
B	DG05-0530	GuoJM	12/09/05	angles	.xxx±.002/0.XXX±.051	1:1		title	
C	DG08-0251	W D	09/16/08	dr	0°±2°	A		2P + 24S + 4ACP	
				enrg	C. DAILY 12/09/05	scale		VERTICAL SOLDER TAIL RECEPTACLE	
				chr	J. ALLISON 03/30/01	A		product family	
				appd	J. ALLISON 03/30/01	A		PwrBlade	
sheet index	revision sheet	C	C			A		code	
		1	2			A		213	
			3			A		sheet	
						A		1 of 3	

CONFIDENTIAL



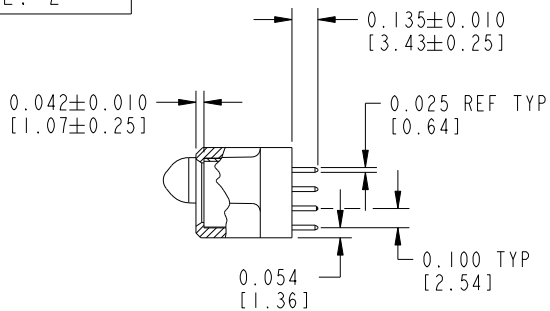
product family	PwrBlade	code	213
size	dwg no	sheet	1 of 3
51863-001			

Tous droits strictement réservés. Reproduction ou communication a des tiers interdite sous quelque forme que ce soit sans autorisation écrite du propriétaire. Propriété de c FCI. Droits de reproduction FCI.

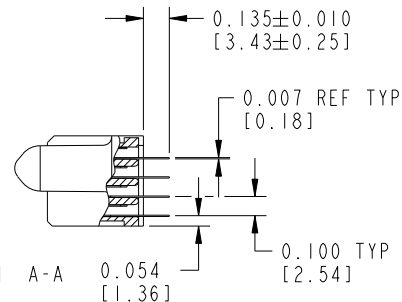
All rights strictly reserved. Reproduction or issue to third parties in any form whatever is not permitted without written authority from the proprietor. Property of FCI. Copyright FCI.



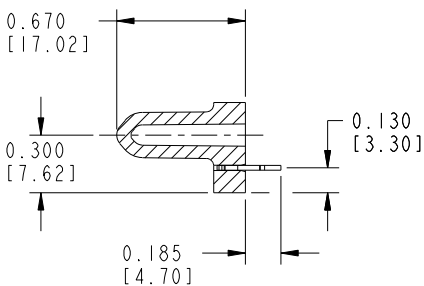
PRODUCT NUMBER
51863-001__
NOTE: 2



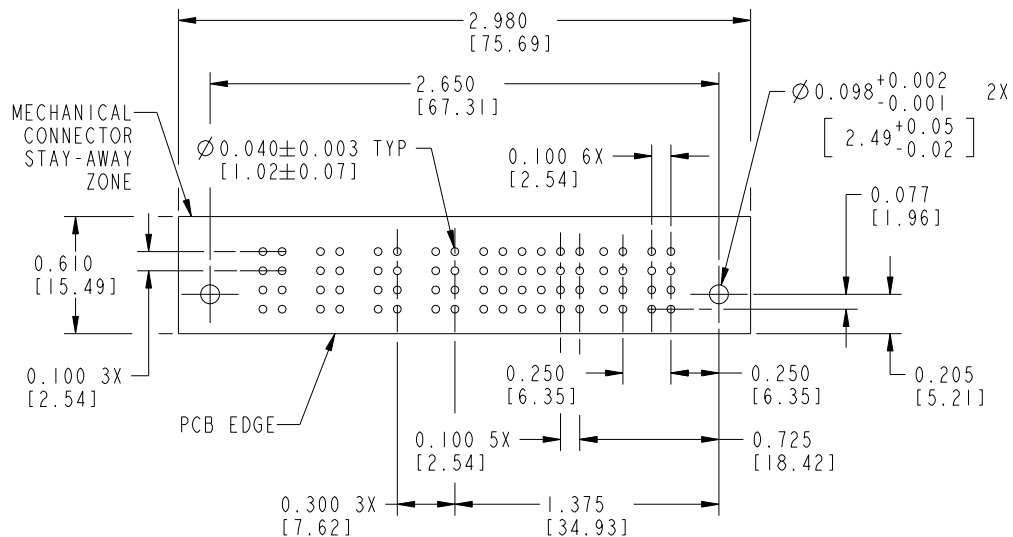
SECTION B-B



SECTION A-A



SECTION C-C



RECOMMENDED PCB LAYOUT

mat'l code		NOTE 1		tolerances unless otherwise specified		CUSTOMER		FCI	
ltr	ecn no.	dr	date	linear	.xx±.01/0.X±0.3	COPY		www.fciconnect.com	
c				projection	.xxx±.005/0.XX±0.13	INCH/MM		title	
				angles	.xxx±.0020/.xxx±.051	1:1		2P + 24S + 4ACP VERTICAL SOLDERTAIL RECEPTACLE	
				dr	0°±2°	scale		product family	
				enrg	C. DAILY 12/09/05	A		PwrBlade	
				chr	J. ALLISON 03/30/01	A		code	
				appd	J. ALLISON 03/30/01	A		213	
sheet index	revision sheet					A		sheet	
						A		2	

Pro/E

PDM: Rev: C

STATUS: Released

Printed: Sep 21, 2008

Tous droits strictement réservés. Reproduction ou communication a des tiers interdite sous quelque forme que ce soit sans autorisation écrite du propriétaire. Propriété de c FCI. Droits de reproduction FCI.



All rights strictly reserved. Reproduction or issue to third parties in any form whatever is not permitted without written authority from the proprietor. Property of FCI. Copyright FCI.

1 | 2

3 |

4

PRODUCT NUMBER
51863-001__
NOTE: 2

CONNECTOR NOTES:

- 1. HOUSING MATERIAL: UL 94 V-0 GLASS FILLED HIGH-TEMP THERMOPLASTIC
POWER CONTACT MATERIAL: COPPER ALLOY
SIGNAL PIN MATERIAL: COPPER ALLOY

△ 2. SEE ITEM 5 & 6 IN PRINT 10064183 FOR PLATING SPEC OF 51863-001 AND 51863-001LF RESPECTIVELY.

PCB NOTES:

- 3. ALL DIMENSIONS ARE BASIC UNLESS OTHERWISE SPECIFIED.
- 4. ALL THROUGH HOLES ARE LOCATED WITH A TRUE POSITION OF 0.004 [0.10]
- 5. ALL HOLE DIAMETERS ARE FINISHED HOLE SIZE
- 6. $\varnothing 0.098$ [2.49] THROUGH HOLES ARE UNPLATED
- 7. $\varnothing 0.0453 \pm 0.0010$ [1.151 ± 0.025] DRILLED HOLES PLATED WITH 0.0003 [0.008] MIN SnPb OVER 0.001 [0.03] TO 0.003 [0.08] Cu PLATING TO ACHIEVE A $\varnothing 0.040 \pm 0.003$ [1.02 ± 0.07] HOLE.
- 8. A △ SYMBOL WILL BE NEXT TO ANY DIMENSION, VIEW, OR NOTE WHICH HAS BEEN MODIFIED WITH THE CURRENT DRAWING REVISION.

CONFIDENTIAL

mat'l code		NOTE 1		tolerances unless otherwise specified		CUSTOMER		FCI		www.fciconnect.com	
lfr	ecn no.	dr	date	linear	.XX±.01/0.X±0.3		projection			title	
C					.XXX±.005/0.XX±0.13					2P + 24S + 4ACP	
					.XXX±.0020/.XXX±.051					VERTICAL SOLDERTAIL RECEPTACLE	
				angles	0°±2°		INCH/MM		product family		code
				dr	C. DAILY	12/09/05	A ←		PwrBlade		213
				engr	J. ALLISON	03/30/01	1:1		size		sheet
				chr	J. ALLISON	03/30/01	A		51863-001		3
				appd	J. ALLISON	03/30/01					
sheet index	revision sheet										

1 | 2

Pro/E

PDM: Rev: C

STATUS: **Released**

Printed: Sep 21, 2008

A

A

B

B

cage code 22526

4